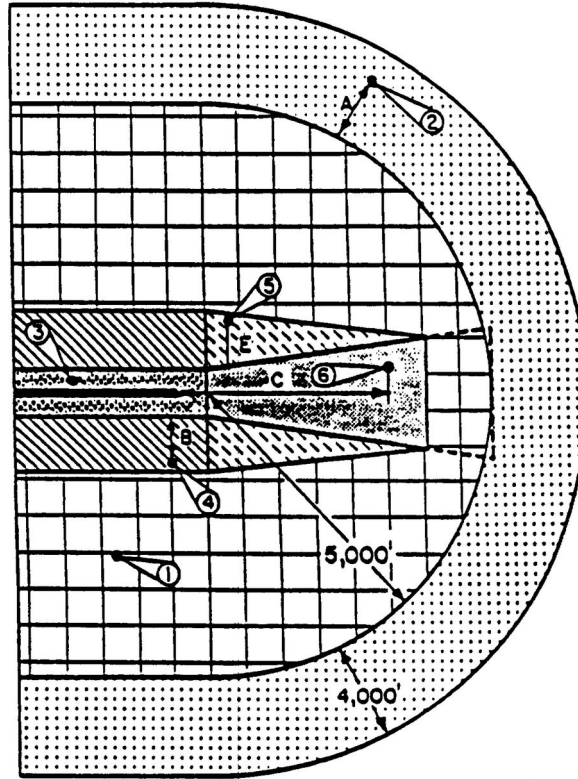


ZONING

350 Attachment 2

Township of Upper Pottsgrove

FIGURE 2
VISUAL and UTILITY NON-PRECISION RUNWAY ZONES



ALLOWABLE HEIGHT FORMULAS

LOCATION ZONE	FORMULA
1 Horizontal Surface	Allowable Height = (Established Airport Elevation) + (150') - (Ground Elevation)
2 Conical Surface	Allowable Height = (Established Airport Elevation) + (150') + (A + 20) - (Ground Elevation)
3 Primary Surface	Allowable Height = (Elevation of the Runway Perpendicular to the Location Point) - (Ground Elevation)
4 Transitional Surface	Allowable Height = (Elevation of the Primary Surface along the Runway Centerline Perpendicular to the Location Point) + (B+7) - (Ground Elevation)
5 Transitional Surface	Allowable Height = (Elevation of the Approach Surface along the Runway Centerline Perpendicular to the Location Point) + (E+7) - (Ground Elevation)
6 Approach Surface	Allowable Height = (Runway End Elevation) + ((C-200)* + 20) - (Ground Elevation)

*For Turf Runways do not subtract 200 from C