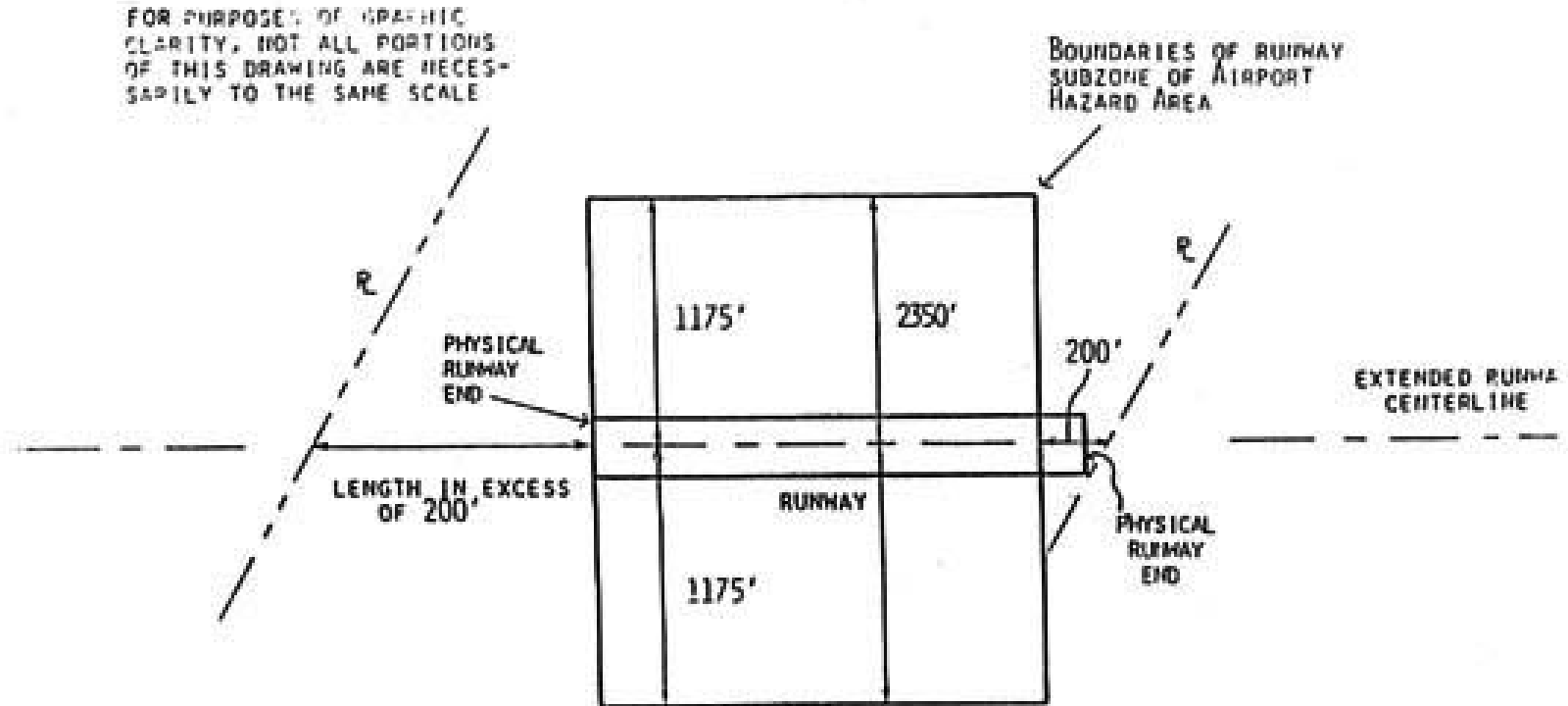


ZONING

13 Attachment 1

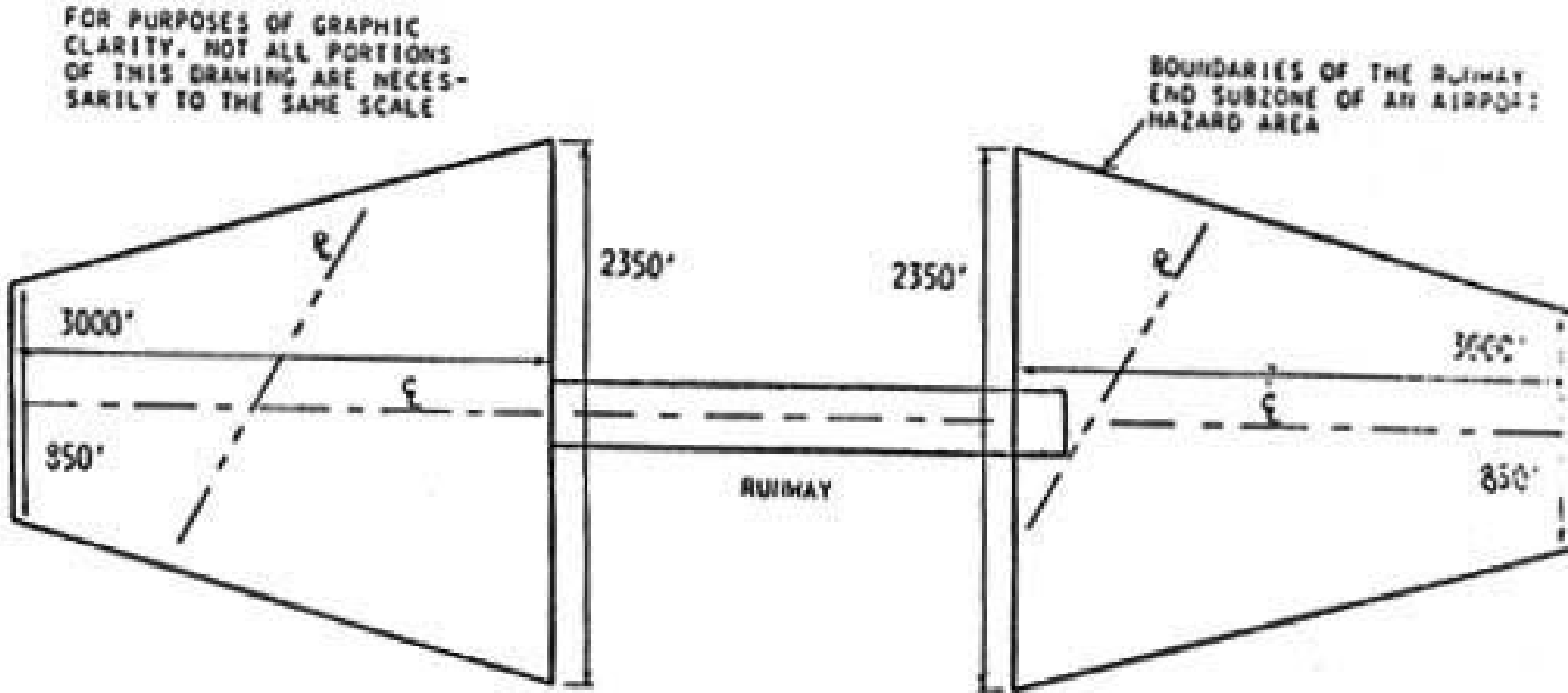
Township of Wantage
SCHEDULE OF STANDARDS
AH-AIRPORT HAZARD DISTRICT
(Subsection 13-12A)

FIGURE 1



GRAPHIC REPLICATION OF THE GENERAL CONSTRUCTION OF THE RUNWAY SUBZONE OF AN AIRPORT HAZARD AREA

FIGURE 2

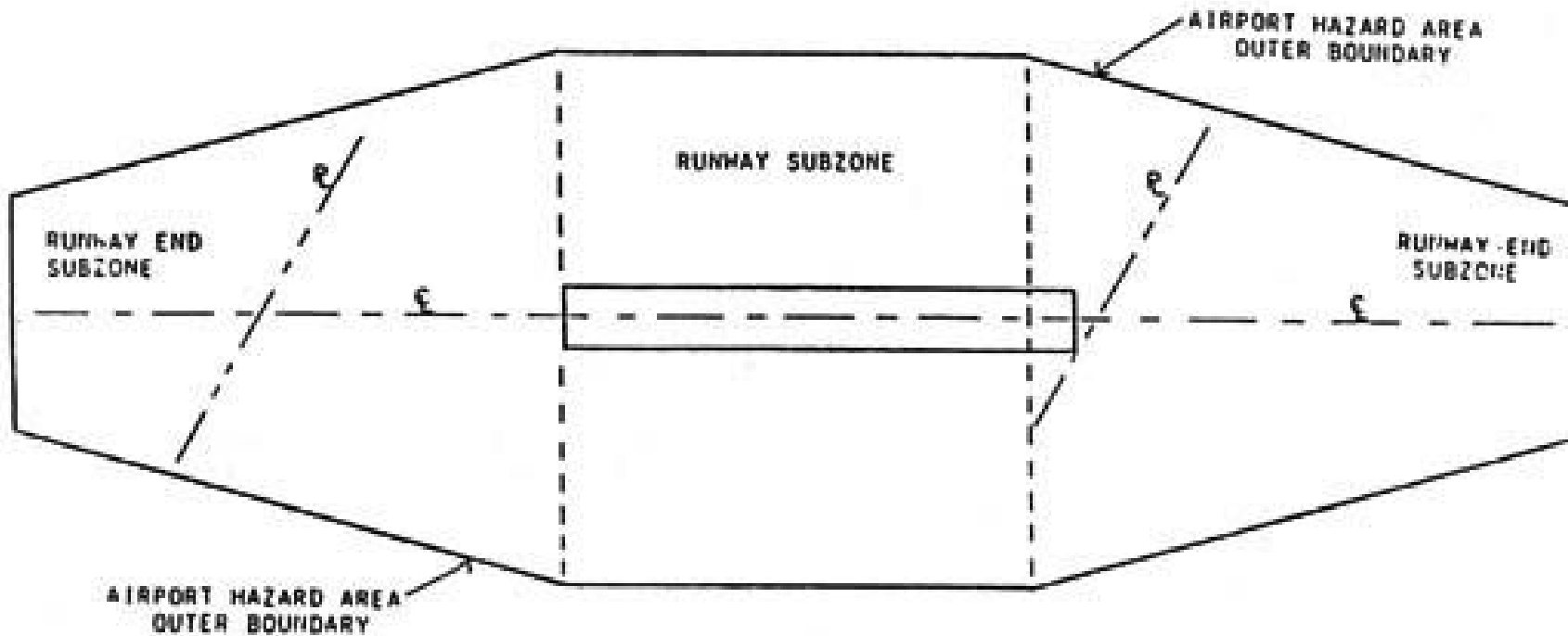


GRAPHIC DEPICTION OF THE GENERAL CONSTRUCTION OF THE RUNWAY END SUBZONE(S) OF AN AIRPORT HAZARD AREA

ZONING

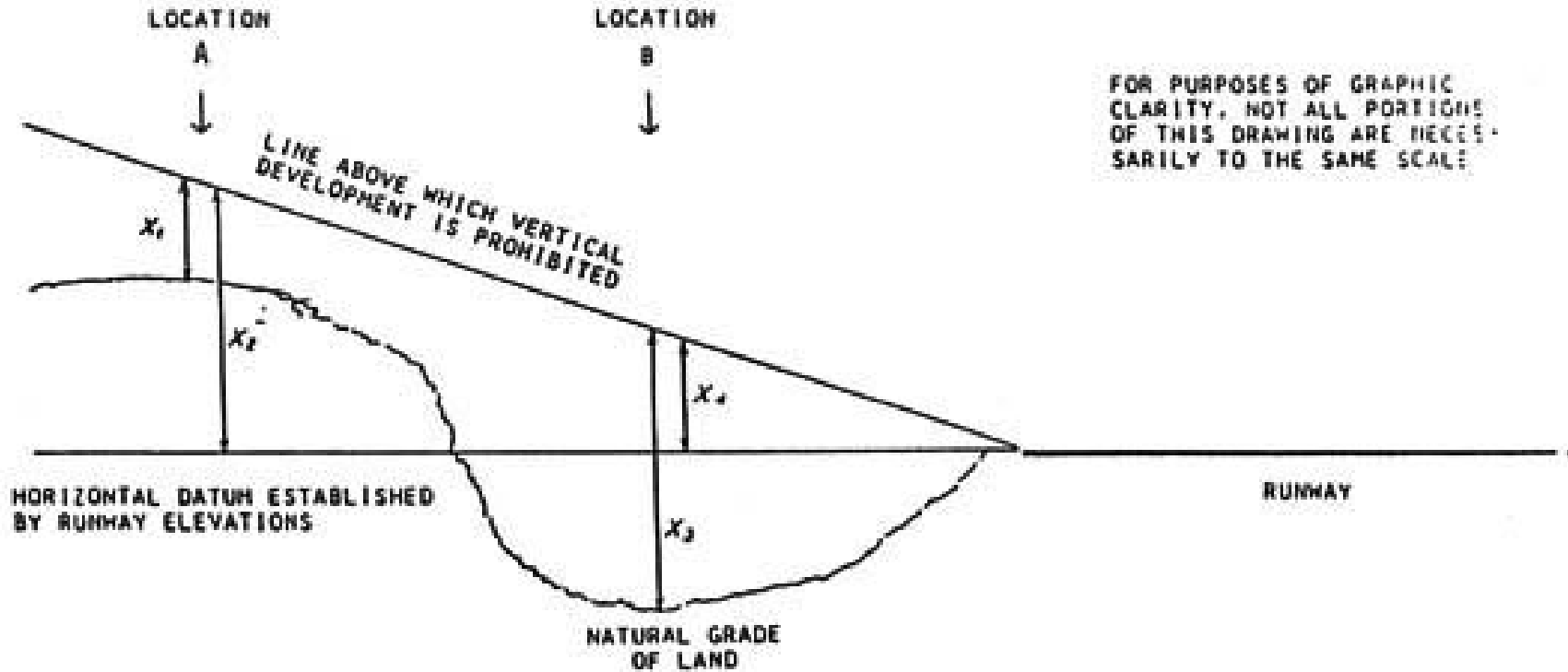
FIGURE 3

FOR PURPOSES OF GRAPHIC CLARITY, NOT ALL PORTIONS OF THIS DRAWING ARE NECESSARILY TO THE SAME SCALE



GRAPHIC DEPICTION OF THE GENERAL OVERALL CONSTRUCTION AND OUTERMOST BOUNDARIES OF AN AIRPORT HAZARD AREA

FIGURE 4



THE MINIMUM OBSTRUCTION ORDINANCE STANDARDS RELATE DIRECTLY TO THE HORIZONTAL DATUM ESTABLISHED BY RUNWAY ELEVATIONS AND NOT THE HEIGHT ABOVE THE NATURAL GRADE OF THE LAND. FOR EXAMPLE, AT LOCATION A AN ORDINANCE MAY REFERENCE A HEIGHT RESTRICTION X_2 FEET, BUT AT THAT LOCATION THE DEVELOPABLE HEIGHT RESTRICTION ABOVE THE NATURAL GRADE OF THE LAND IS ACTUALLY X_1 FEET. AT LOCATION B THE ORDINANCE HEIGHT RESTRICTION MAY BE X_4 FEET BUT THE DEVELOPABLE HEIGHT RESTRICTION MAY BE X_3 FEET.

ZONING

FIGURE 5

VERTICAL AND HORIZONTAL PLANES OF RUNWAY
SUBZONE OF AIRPORT HAZARD AREA

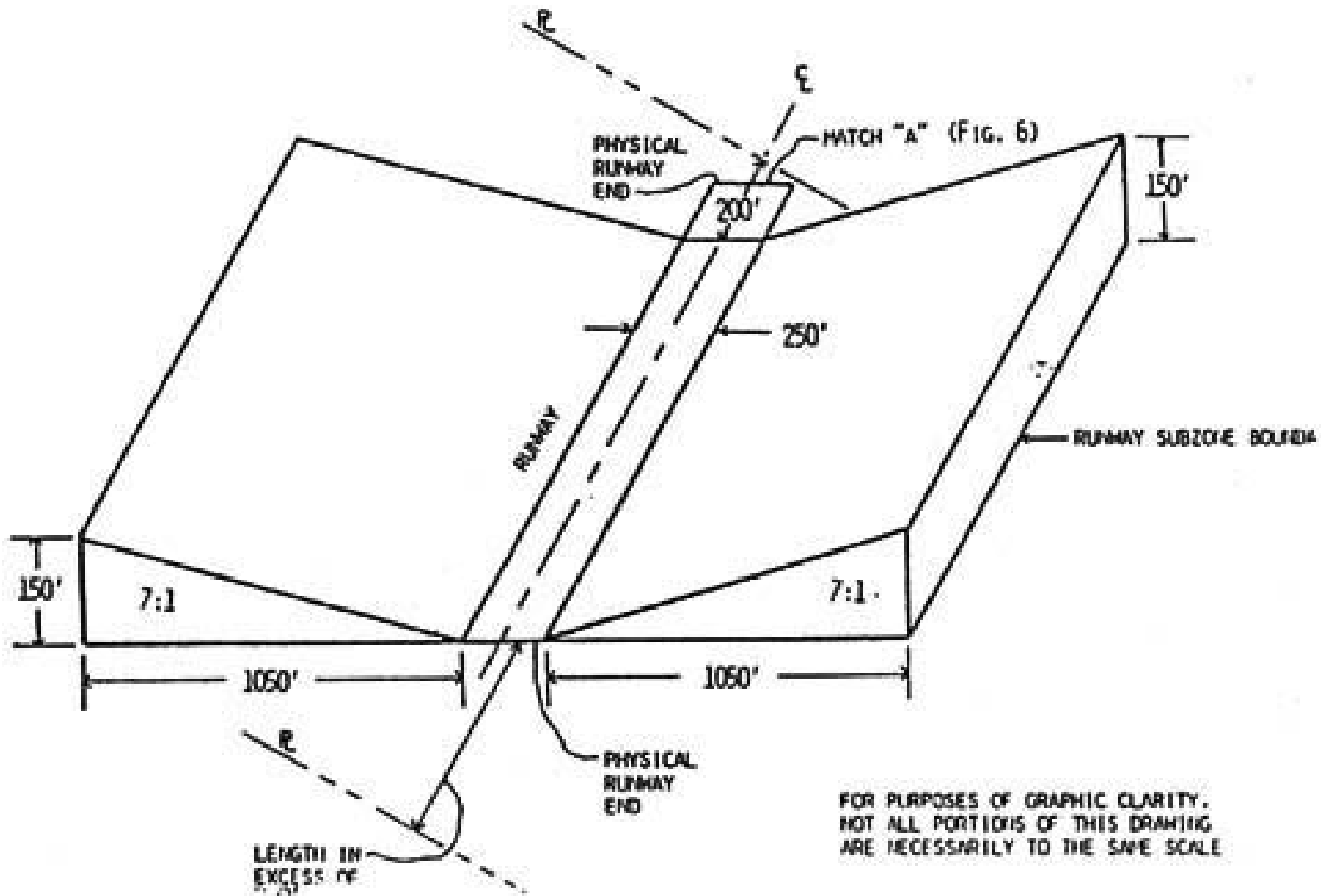


FIGURE 6

