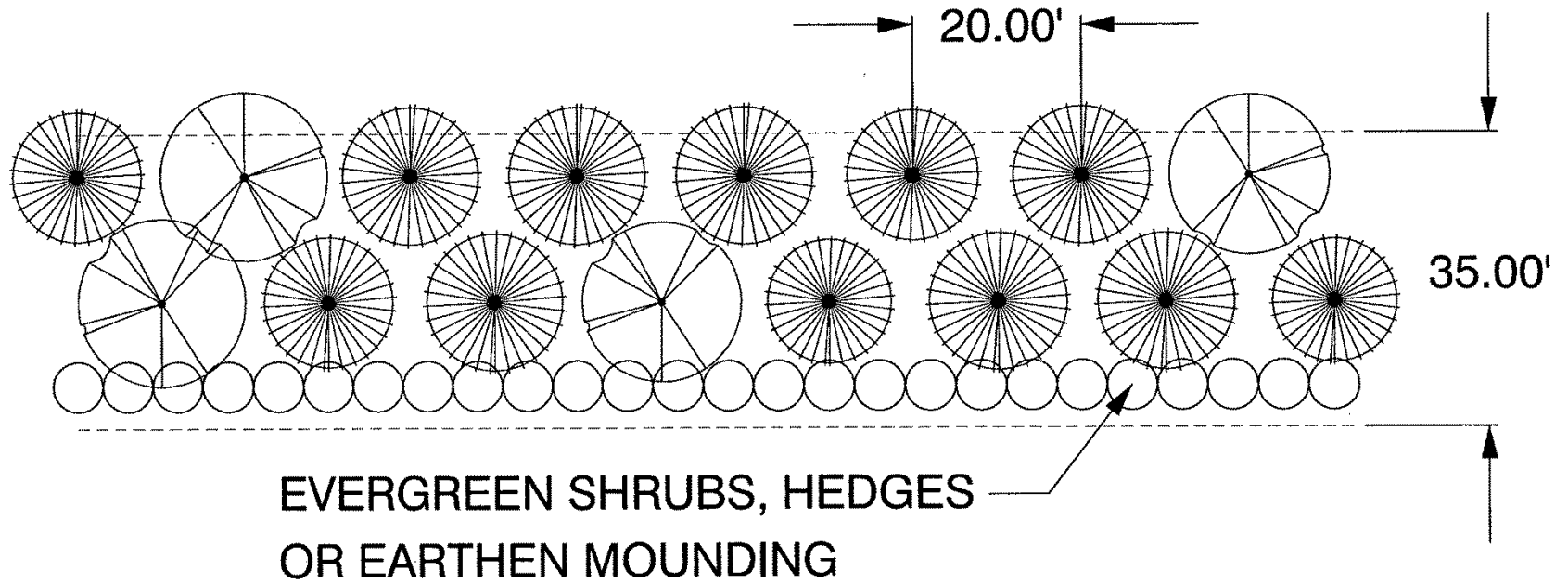


ZONING

350 Attachment 6

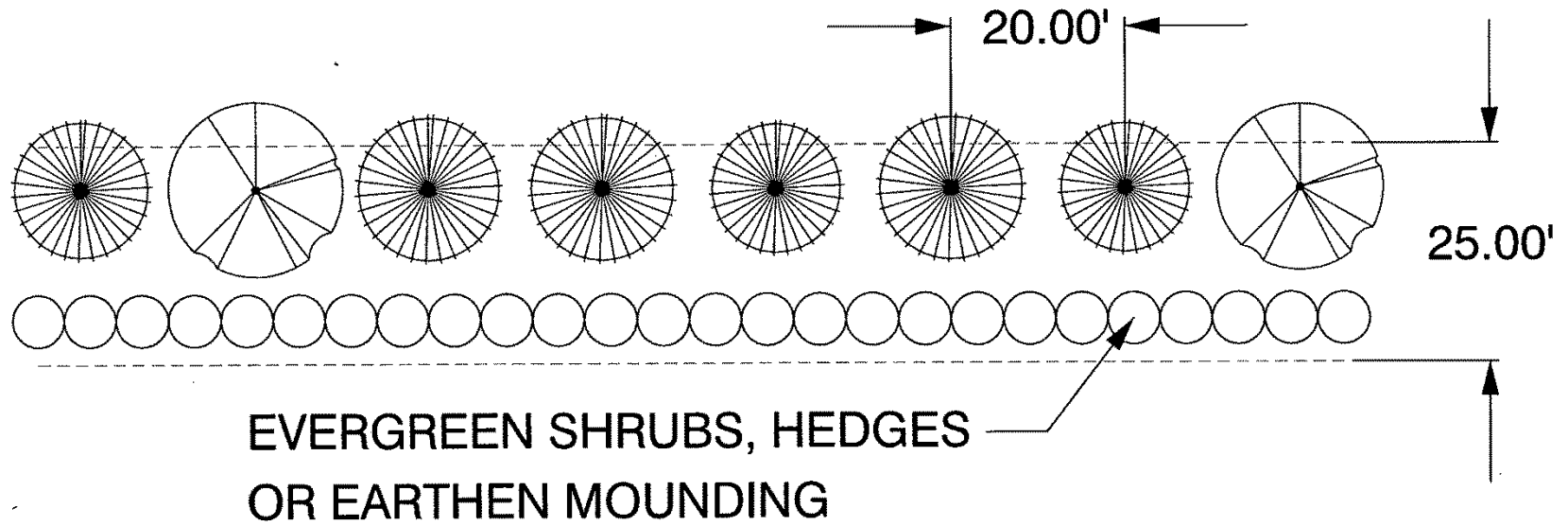
City of Washington

Appendix B
Required Buffer Yards



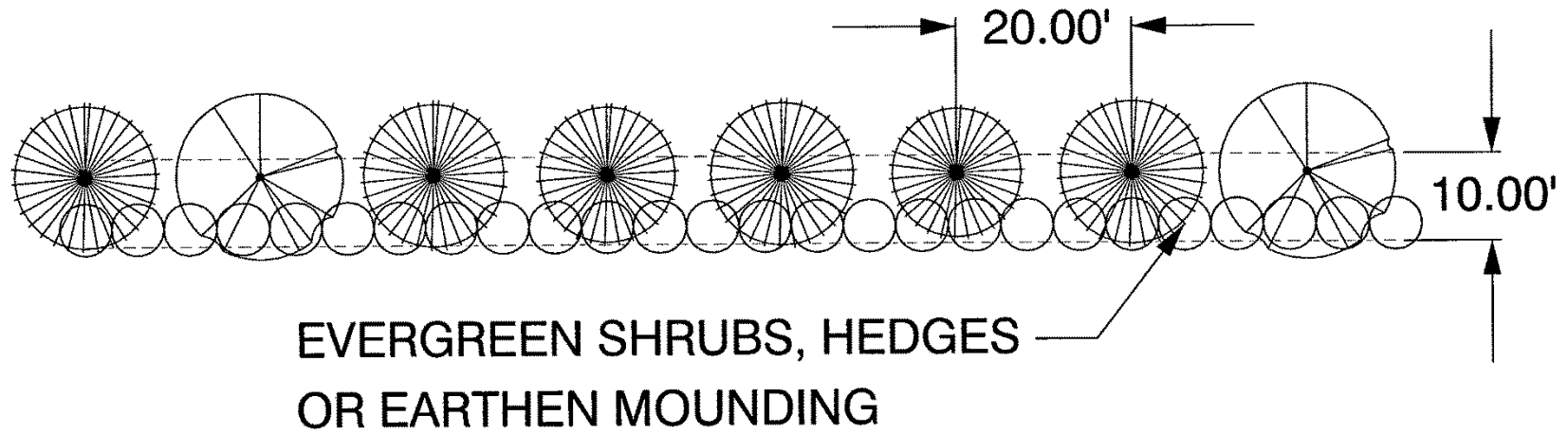
BUFFERYARD A

WASHINGTON CODE



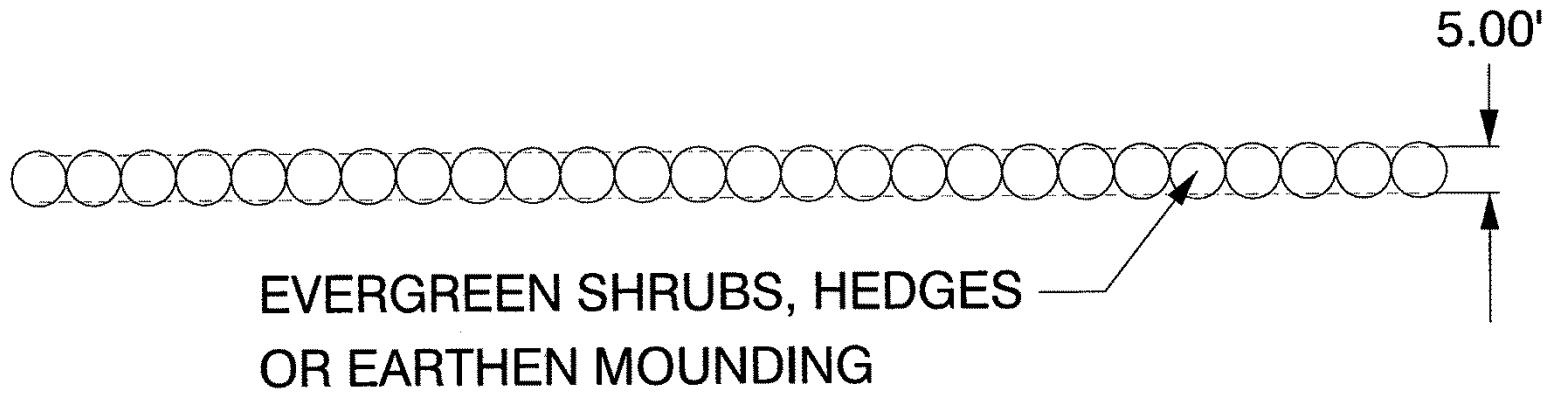
BUFFERYARD B

ZONING



BUFFERYARD C

WASHINGTON CODE



BUFFERYARD D