

ZONING

185 Attachment 2

Township of Upper Southampton

Figure 709
Example of Proposed Screen Planting Requirements

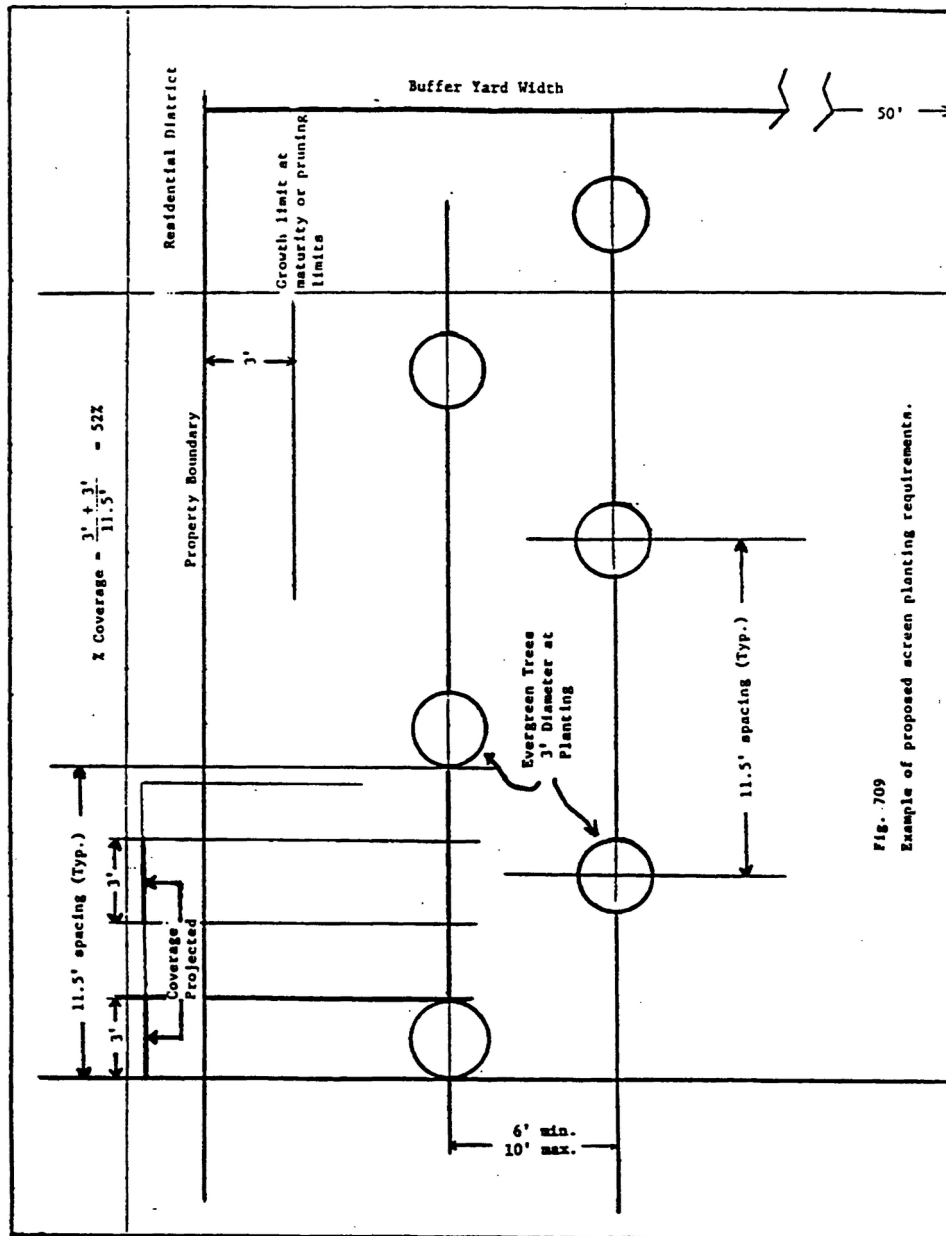


Fig. 709
Example of proposed screen planting requirements.